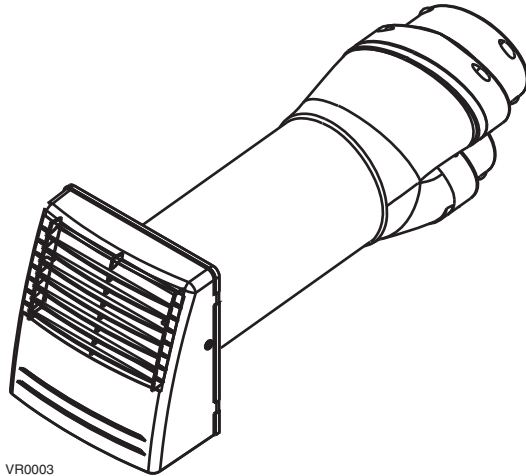


DUAL EXTERIOR HOOD INSTALLATION KIT

Part number: 14690



ONE PORT FOR DOUBLE USAGE

Imagine... Only one hole to cut in the exterior wall to perform an outside connection. A dream? No, just a fine idea. And we are the people who achieved this idea. Introducing you the simplest way to perform the outside connection for the THH 1.0, THSF 104, HRV 2500 and 2600, HR 2.5 and 2.6, HEPA 3000 and 3100, HF 2.5 and 3.1, Constructo 1.0 and 60H vanEE units: the Dual Exterior Hood Kit.

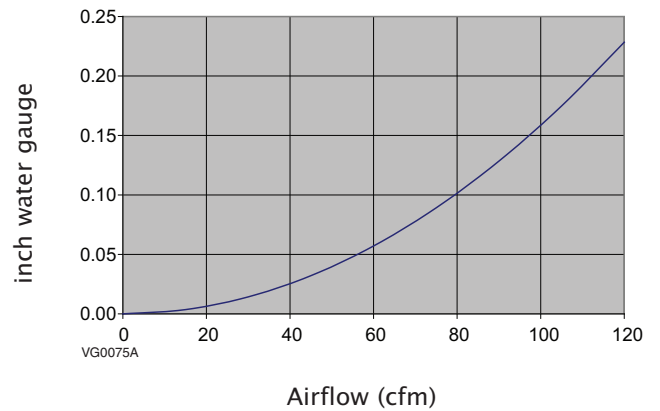
- Only one 6" diameter hole in the exterior wall
- Aesthetic white polypropylene dual outside port
- Exclusive Tandem® transition fits both 5" or 6" diameter insulated flexible ducts
- Hardware included
- Light materials, handy design
- Outside connection performed in half time
- Optional pollen screen available (part no. 14699)

The revolutionary design of the Dual Exterior Hood Kit simplifies the installation, not only because there is only one hole to cut in the exterior wall. In fact, every installer knows that locating efficiently one outside port is more easier (and faster) than locating two. Moreover, there is almost any intercontamination!

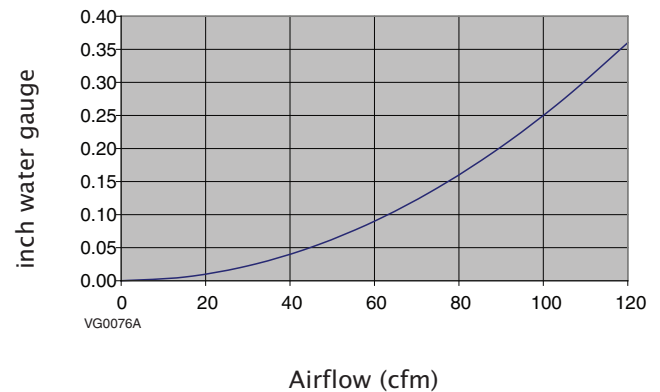
Available at:

INCLUDING THE **TANDEM®** TRANSITION

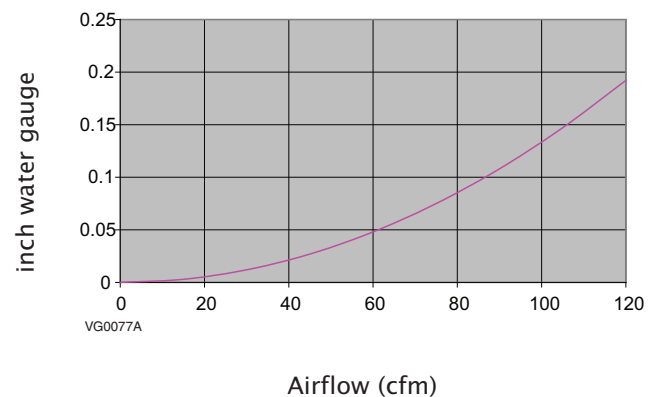
Pressure drops using standard screen (intake air)



Pressure drops using optional pollen screen (intake air)

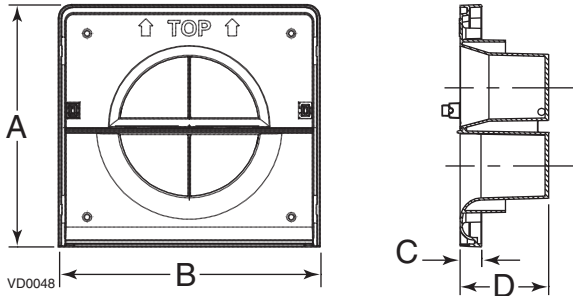


Pressure drops (exhaust air)



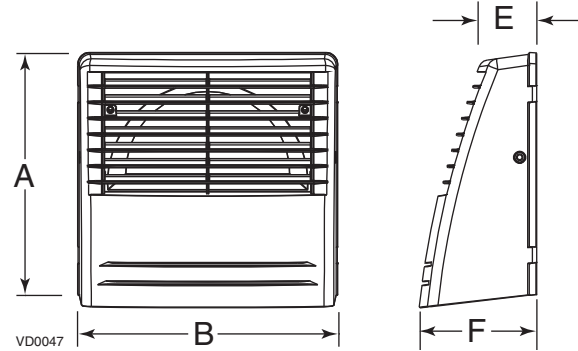
Dimensions of the Dual Outside Port Backplate

A	B	C	D
8 3/8" (214 mm)	9" (231 mm)	3/4" (19 mm)	3" (76 mm)



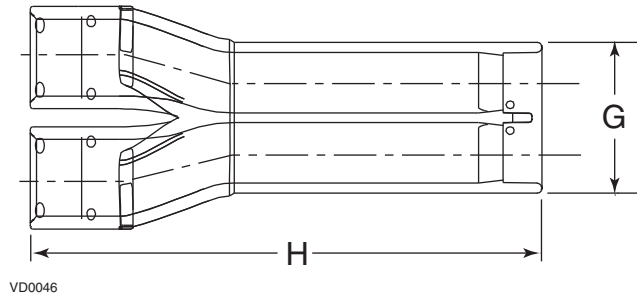
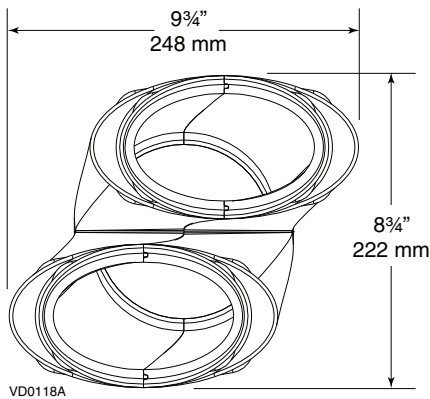
Dimensions of the Dual Outside Port

A	B	E	F
8 3/8" (214 mm)	9" (231 mm)	1 7/8" (48 mm)	3 5/8" (92 mm)



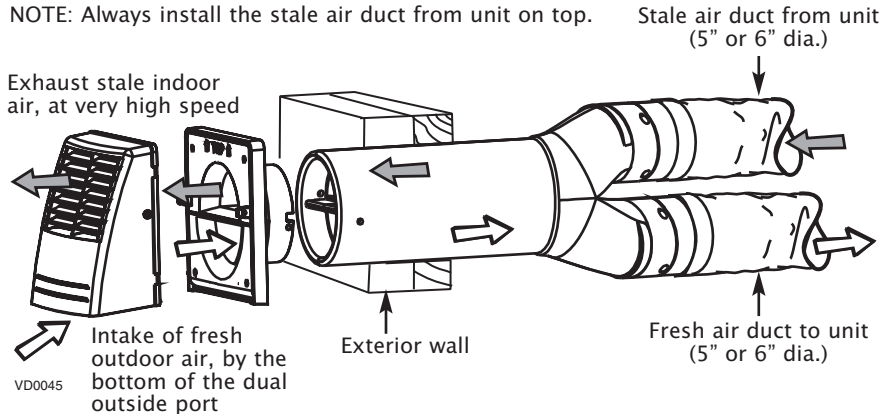
Dimensions of the TANDEM Transition

G	H
6" (152 mm)	20" (508 mm)



Installation

NOTE: Always install the stale air duct from unit on top.



Specifications and ratings

- Part number: 14690
- Material for Tandem® transition: Expanded polystyrene, Grade 54 (building material)
- Material for dual outside part: White polypropylene
- Contamination rate: 3.2% between stale air to outside and fresh air from outside

Submitted by:	Date:	Project:
Quantity:	Model number:	Remarks:
		Location:
		Architect:
		Engineer:
		Contractor:

